

Technical data sheet

All right reserved Landa illuminotecnica S.p.A.
will reserve to change the specific note without
any written notice.

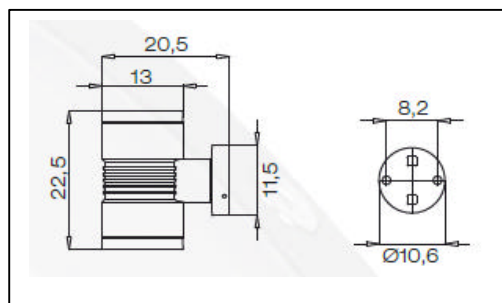
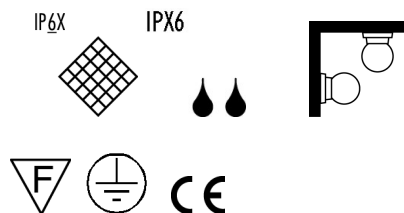
LANDA®
illuminotecnica

Lyra 130

Article 460BT50X1
Product type wall light
Body material Die-casting aluminium EN47100, prior the painting process, washed with stones. Painting made by polyester powder with high resistant against oxidation. Ring in die-casting aluminium EN47100
Tempered glass diffuser in transparent 10mm thick and silicon gasket.
Reflector.
Screws in A2 stainless steel
Colours available: Metalgrey and Graphite
Transformer included

IK08
IP66 - 850°C

1 x GU5,3 50W 240V-12V



Photometric:

