

# Technical data sheet

All right reserved Landa illuminotecnica S.p.A.  
will reserve to change the specific note without  
any written notice.

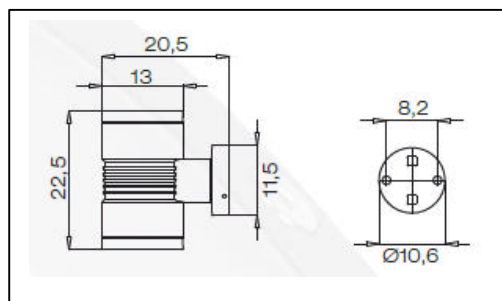
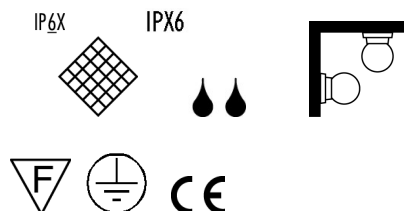
LANDA®  
illuminotecnica

## Lyra 130

Article 460BT50X2
Product type wall light
Body material Die-casting aluminium EN47100, prior the painting process, washed with stones. Painting made by polyester powder with high resistant against oxidation. Ring in die-casting aluminium EN47100
Tempered glass diffuser in transparent 10mm thick and silicon gasket.
Reflector.
Screws in A2 stainless steel
Colours available: Metalgrey and Graphite
<b>Transformer included</b>

IK08  
IP66 - 850°C

2 x GU5,3 50W 240V-12V



Photometric:

