

Technical data sheet

All right reserved Landa illuminotecnica S.p.A.
will reserve to change the specific note without
any written notice.

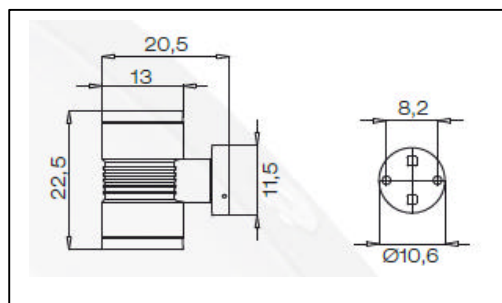
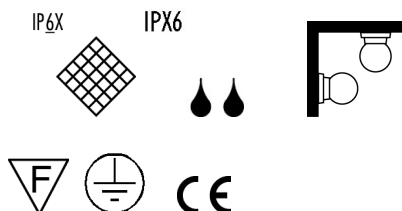
LANDA[®]
illuminotecnica

Lyra 130

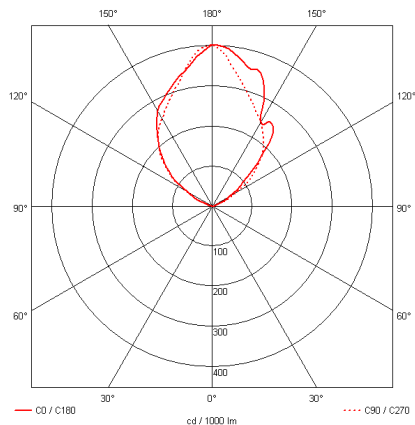
Article 460G9X1
Product type wall light
Body material Die-casting aluminium EN47100, prior the painting process, washed with stones. Painting made by polyester powder with high resistant against oxidation.
Tempered glass diffuser in transparent 10mm thick and silicon gasket.
Reflector in alluminium anodized.
Screws in A2 stainless steel
Colours available: Metalgrey and Graphite

IK08
IP66 - 850°C

1 x G9 60W 240V



Photometric:



CODE 460G9X1 Beam 60		LUX	
MT	LUX		
0,5	1960		
1	490		
1,5	218		
2	123		
2,5	79		
3	55		
4	31		
5	20		