

Technical data sheet

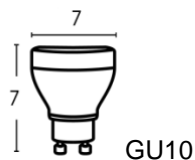
All right reserved Landa illuminotecnica S.p.A.
will reserve to change the specific note without
any written notice.

LANDA[®]
illuminotecnica

Lyras 130

Article 460GU10X2
Product type Wall Light
Body material Die-casting aluminium EN47100, prior the painting process, washed with stones. Painting made by polyester powder with high resistant against oxidation. Ring in die-casting aluminium EN47100
Tempered glass diffuser in transparent 10mm thick and silicon gasket.
Screws in A2 stainless steel
Bulb not included

IK10
IP66



Bulb suggested - not included

2x50W Halogen
2x8W LED Megaman
2x9W LED Osram Parathom

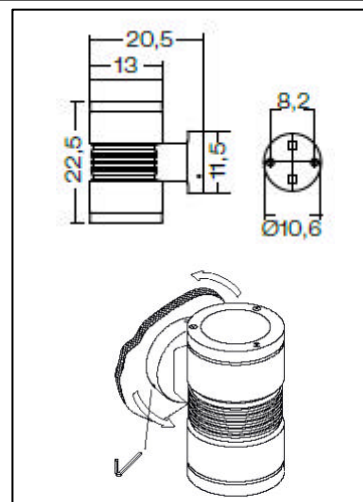
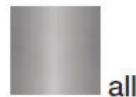


Colours available:

Graphite



Metalgrey



Accessories on request:

Also available with:



cod. 0201008B
vetro opale/opal glass/
verre opale/vidrio ópalo/
Glas opal



code 00K460.02
Reflector for art. 460



code 00K460.01
Visor for art. 460