

Technical data sheet

All right reserved Landa illuminotecnica S.p.A.
will reserve to change the specific note without
any written notice.

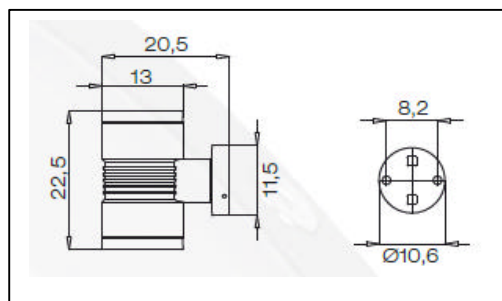
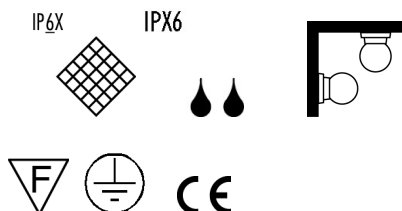
LANDA[®]
illuminotecnica

Lyra 130

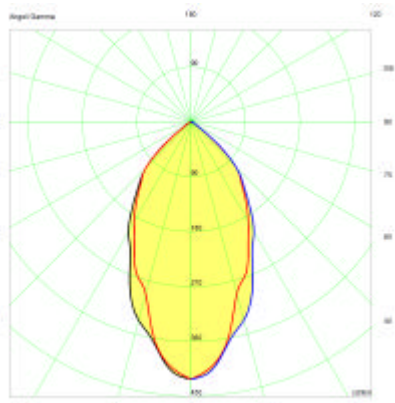
Article 460H20X1
Product type wall light
Body material Die-casting aluminium EN47100, prior the painting process, washed with stones. Painting made by polyester powder with high resistant against oxidation.
Tempered glass diffuser in transparent 10mm thick and silicon gasket.
Reflector in alluminium anodized.
Screws in A2 stainless steel
Colours available: Metalgrey and Graphite
Electronic Ballast Philips included

IK08
IP66 - 850°C

1 x PGJ5 20W 240V
beam 30°/+30°



Photometric:



CODE 460H20X1 Beam 30		LUX	MT
MT	LUX		
0.5	2785		
1	696		
1.5	309		
2	174		
2.5	111		
3	77		
4	45		
5	28		