

# Technical data sheet

All right reserved Landa illuminotecnica S.p.A.  
will reserve to change the specific note without  
any written notice.

**LANDA**<sup>®</sup>  
illuminotecnica

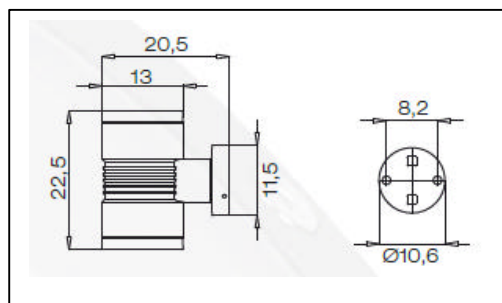
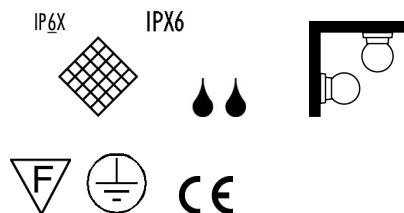
## Lyra 130

Article 460H20X2M
Product type wall light
Body material Die-casting aluminium EN47100, prior the painting process, washed with stones. Painting made by polyester powder with high resistant against oxidation.
Tempered glass diffuser in transparent 10mm thick and silicon gasket.
Reflector in alluminium anodized.
Screws in A2 stainless steel
Colours available: Metalgrey and Graphite
Electronic Ballast Philips included

IK08  
IP66 - 850°C

1 x PGJ5 20W 240V  
beam 30°/+30°

1 x PGJ5 20W 240V  
beam 5°/+5°



Photometric:

Beam 30°/+30°

Beam 5°/+5°

