

# Technical data sheet

All right reserved Landa illuminotecnica S.p.A.  
will reserve to change the specific note without  
any written notice.

**LANDA**<sup>®</sup>  
illuminotecnica

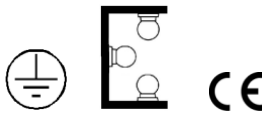
## Lyras 130

Article 461LS12X1 Cold White	461LS12X1H Warm White
Product type spot or projector	
Body material: Die-casting aluminium EN47100 and in extruded aluminium AW6060, prior the painting process, washed with stones. Painting made by polyester powder with high resistant against oxidation. Ring in die-casting aluminium EN47100	
Tempered glass diffuser in transparent 10mm thick and silicon gasket.	
Screws in A2 stainless steel	
Colours available: Metalgrey and Graphite	
Transformer not required – AC 220/240V	
Powered by Seoul Semiconductor Acriche - AC Direct Connection 220-240V	

IK10  
IP66  
Powered by  
Seoul Semiconductor Acriche  
12W 220 - 240V  
Beam 12°

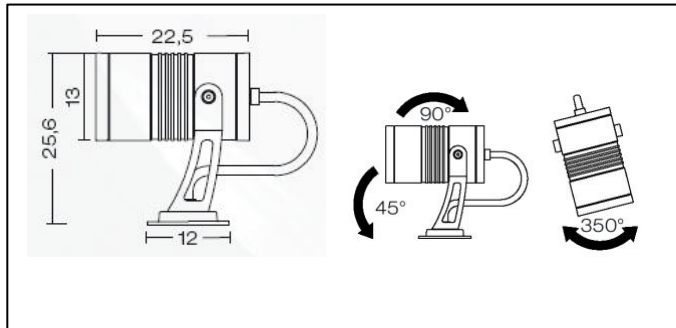
461LS12X1 780lm  
6000°K 4000lx at 1mt

461LS12X1H 660lm  
3500°K 3400lx at 1mt

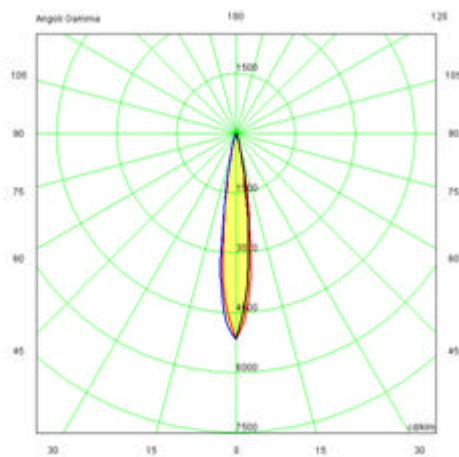


Loop IN Loop OUT

IP 68 cable connection



Photometric:



Accessories



code 00K460.02  
Reflector  
for art. 461-462-463



code 00A465  
Mounting spike  
for art. 461-462



code 00K460.01  
Visor  
for art. 461-462

