

Technical data sheet

All right reserved Landa illuminotecnica S.p.A.
will reserve to change the specific note without
any written notice.

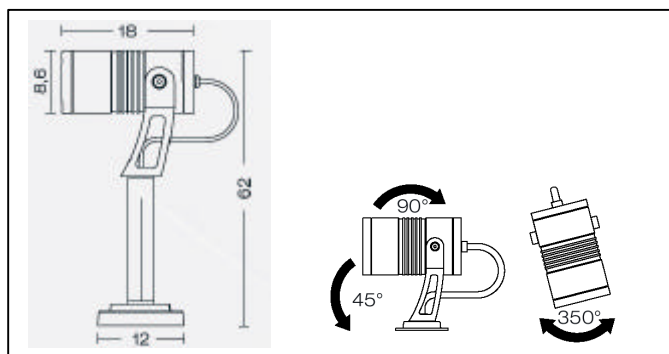
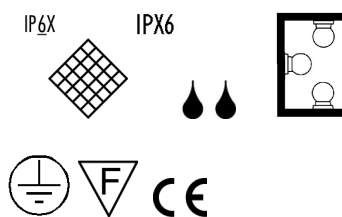
LANDA[®]
illuminotecnica

Lyra 130

Article 462E27
Product type spot or projector
Body material Die-casting aluminium EN47100 and in extruded aluminium, prior the painting process, washed with stones. Painting made by polyester powder with high resistant against oxidation.
Tempered glass diffuser in transparent 10mm thick and silicon gasket.
Reflector in aluminum anodized
Screws in A2 stainless steel
Colours available: Metalgrey and Graphite

IK08
IP66 - 850°C

E27 21W
Fluorescent
Reflector beam 60°



Photometric:

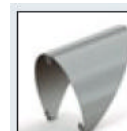
Accessories



code 00K460.02
Reflector
for art. 461-462-463



code 00A465
Mounting spike
for art. 461-462



code 00K460.01
Visor
for art. 461-462