

Technical data sheet

All right reserved Landa illuminotecnica S.p.A.
will reserve to change the specific note without
any written notice.

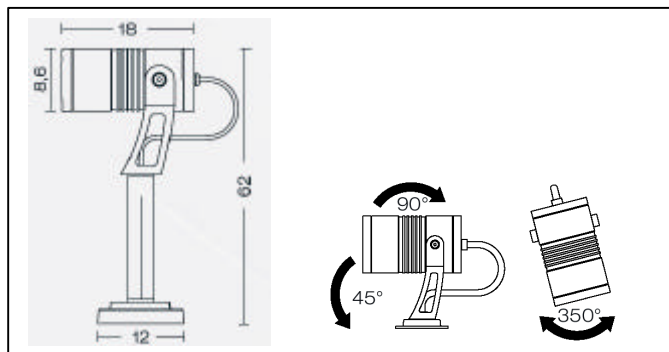
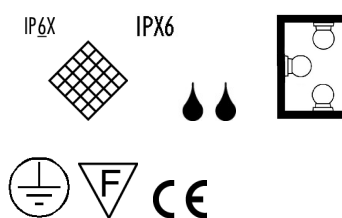
LANDA[®]
illuminotecnica

Lyra 130

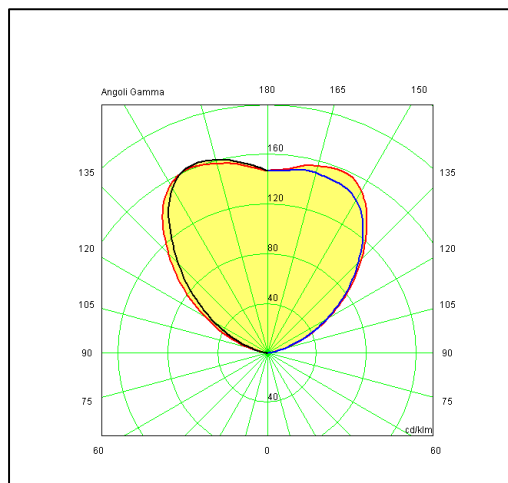
Article 462F18
Product type spot or projector
Body material Die-casting aluminium EN47100 and in extruded aluminium, prior the painting process, washed with stones. Painting made by polyester powder with high resistant against oxidation.
Tempered glass diffuser in transparent 10mm thick and silicon gasket.
Reflector in aluminum anodized
Screws in A2 stainless steel
Colours available: Metalgrey and Graphite
Electronic Ballast included

IK08
IP66 - 850°C

Gx24q-2 18W
Reflector beam 60°



Photometric:



CODE 462F18 Beam 60	
MT	LUX
0.5	800
1	200
1.5	90
2	50
2.5	32
3	23
4	13
5	8