

Technical data sheet

All right reserved Landa illuminotecnica S.p.A.
will reserve to change the specific note without
any written notice.

LANDA[®]
illuminotecnica

Lyras 130

Article 462LL12X1 LED White 462LL12X1H Warm White
Product type wall light
Body material Die-casting aluminium EN47100, prior the painting process, washed with stones. Painting made by polyester powder with high resistant against oxidation.
Tempered glass diffuser in transparent 10mm thick and silicon gasket.
Screws in A2 stainless steel
Colours available: Metalgrey and Graphite
Powered by Acriche Seoul LED
AC Direct connection 240V

IK10

IP66

LED 12W 240V

Beam 40°

462LL12X1 780lm 6000°k

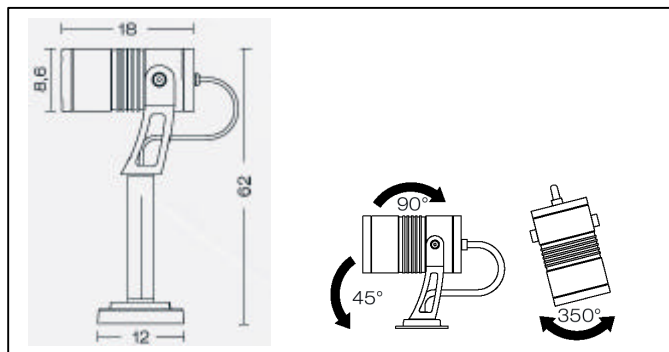
462LL12X1H 660lm 3500°k

IP6X

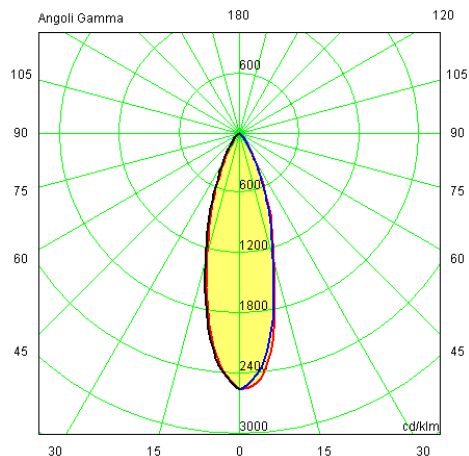
IPX6



CE



Photometric:



CODE 462LL12X1 Beam 40	
MT	LUX
0.5	3336
1	834
1.5	371
2	208
2.5	133
3	93
4	52
5	33