

Technical data sheet

All right reserved Landa illuminotecnica S.p.A.
will reserve to change the specific note without
any written notice.

LANDA[®]
illuminotecnica

Lyra 80

Article 465LS3X1 _ 465LL3X1
Product type wall light
Body material Die-casting aluminium EN47100, prior the painting process, de-burred. Painting made by polyester powder with high resistant against oxidation.
Tempered glass diffuser in transparent 10mm thick and silicon gasket.
Screws in A2 stainless steel
Colours available: Metalgrey and Graphite
Beams: 465LS3X1 = 1x 8°+8° 465LL3X1 = 1x 45°+45°
Included transformer 240V to 12V

IK08
IP66
850°C

White LED 6300°K

10°+10°-240 lm-3180 lux-13230 cd

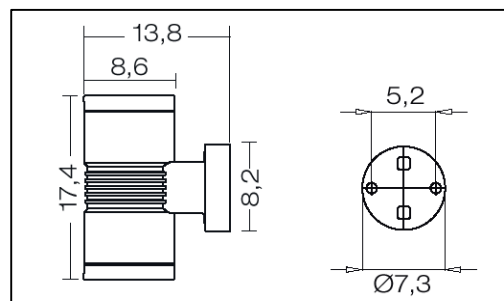
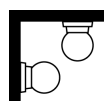
45°+45°-240 lm-320 lux-1330 cd

High power LED 3W

IP6X



IPX6



Photometric:

