

# Technical data sheet

All right reserved Landa illuminotecnica S.p.A.  
will reserve to change the specific note without  
any written notice.

**LANDA**<sup>®</sup>  
illuminotecnica

## Lyra 80

Article 465LS3X2 _ 465LL3X2 _ 465LM3X2
Product type wall light
Body material Die-casting aluminium EN47100, prior the painting process, washed with stones. Painting made by polyester powder with high resistant against oxidation.
Tempered glass diffuser in transparent 10mm thick and silicon gasket.
Screws in A2 stainless steel
Colours available: Metalgrey and Graphite
Beams: 465LS3X2 = 2x 10°+10°    465LL3X2 = 2x 45°+45°    465LM3X2 = 1x 10°+10    1x 45°+45°
Included transformer 240V to 12V

IK08  
IP66  
850°C

White LED 6300°K

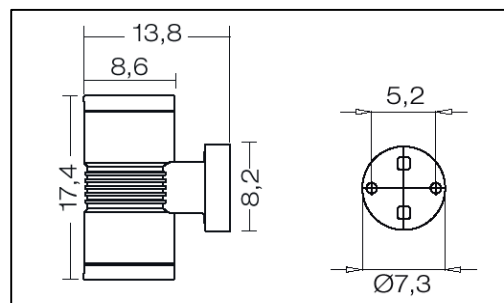
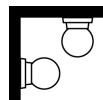
10°+10°-240 lm-3180 lux-13230 cd

45°+45°-240 lm-320 lux-1330 cd

2 x High power LED 3W

IP6X

IPX6



Photometric:

