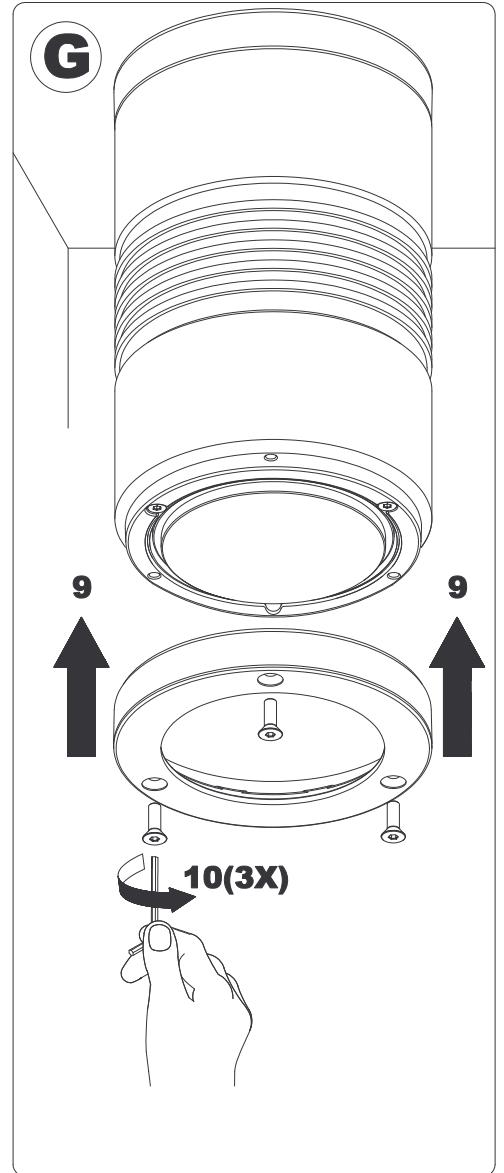
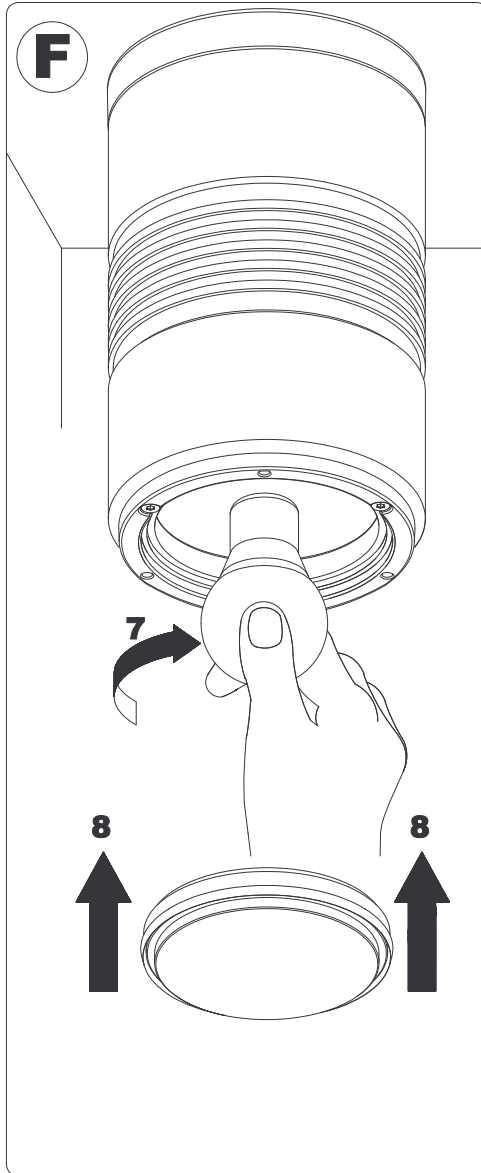
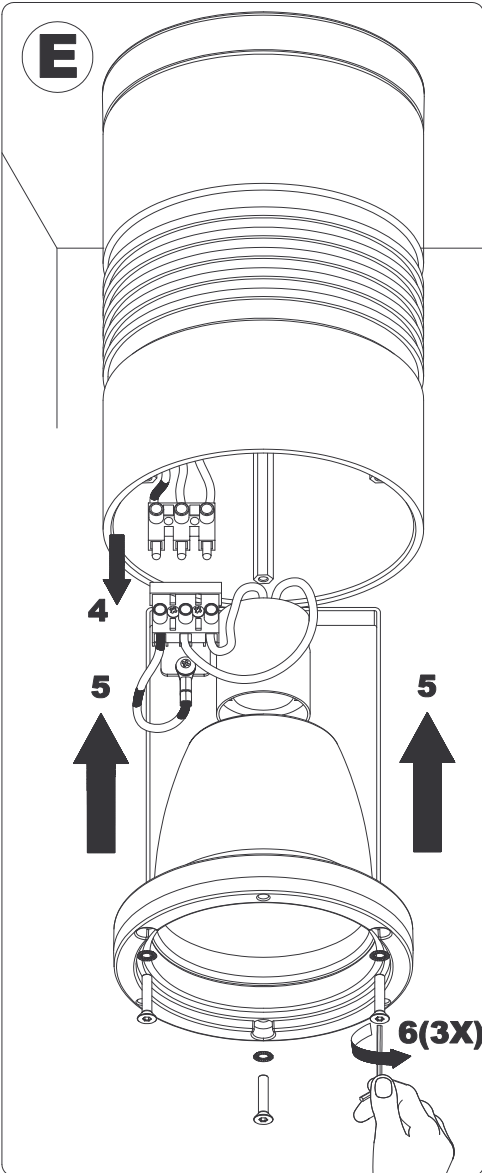
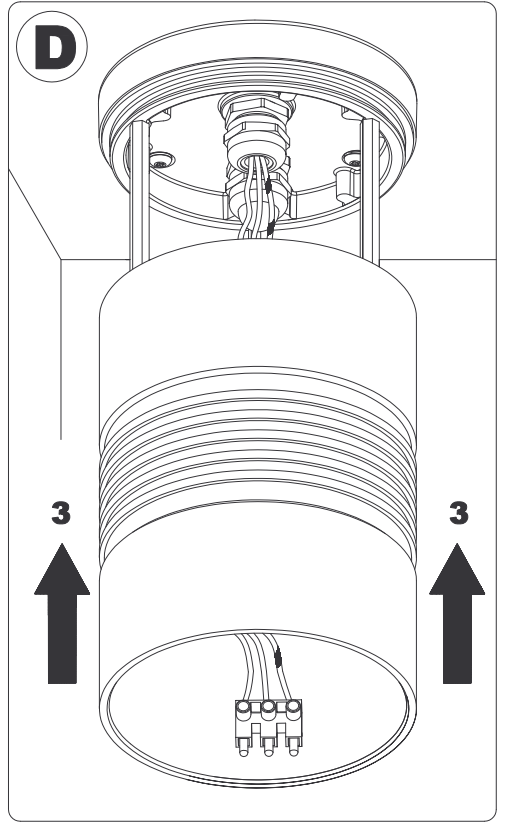
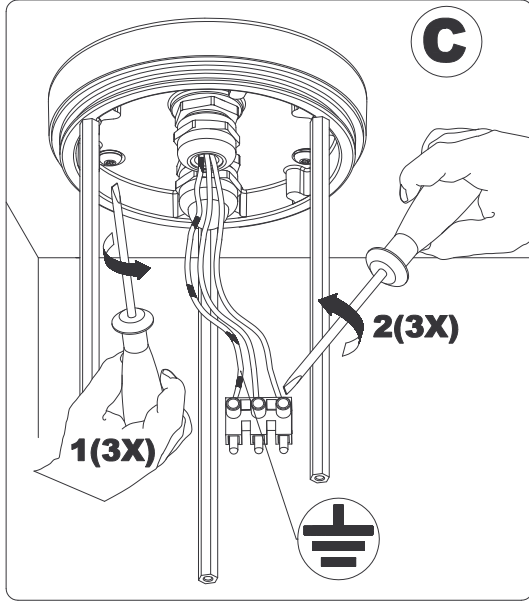
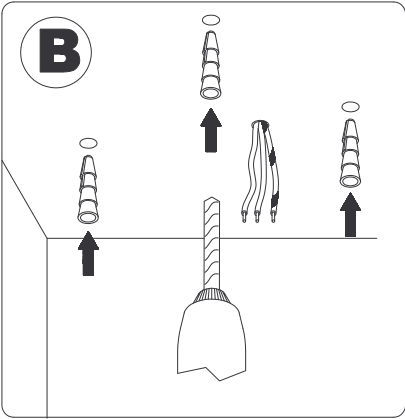
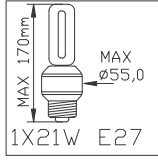
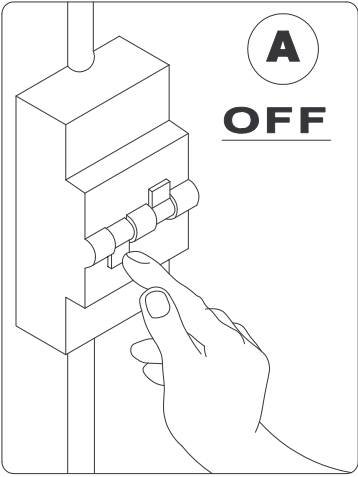
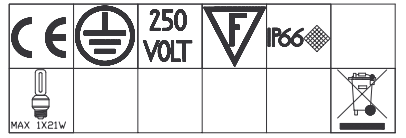


IM SERIE 463  
CONNECTION: E27



IM SERIE 463  
INSTALLATION WITH CODE:  
00K460.01-00K460.02



**ATTENTION**

