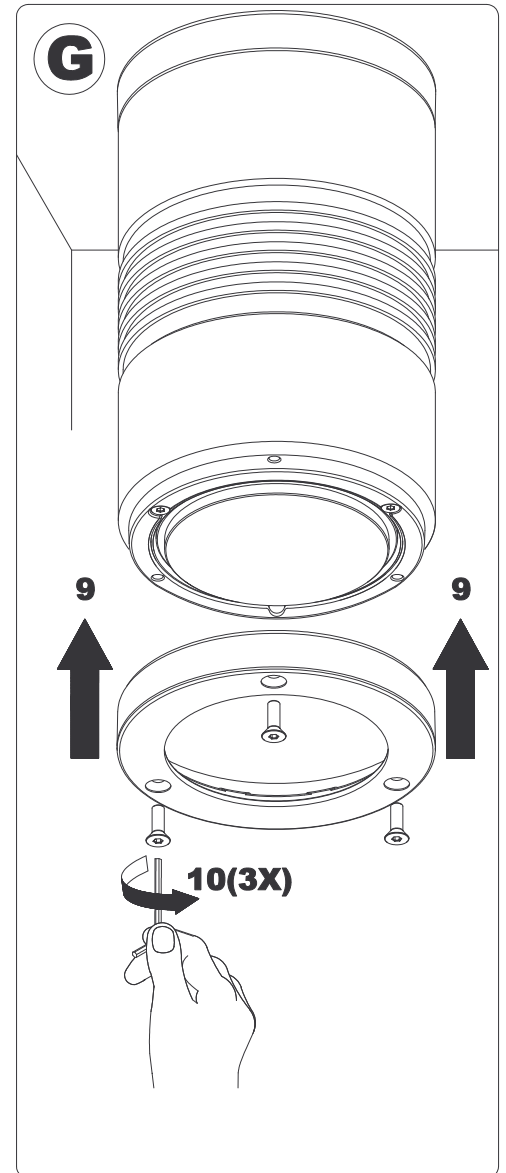
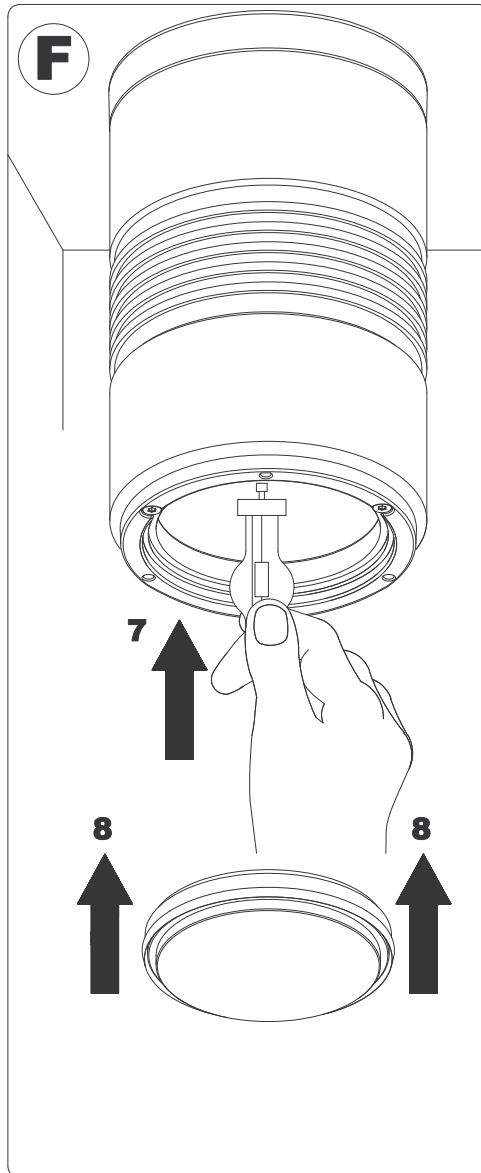
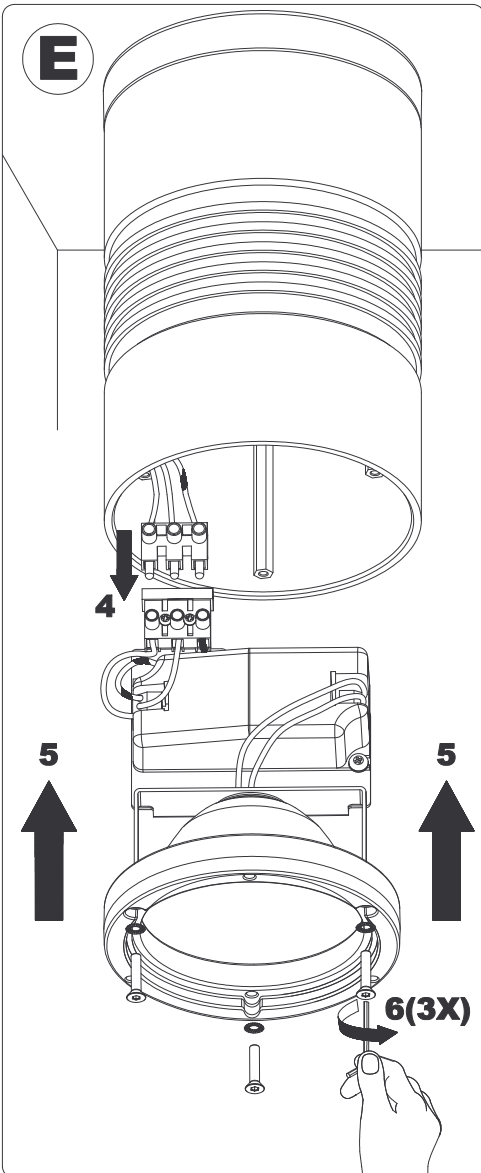
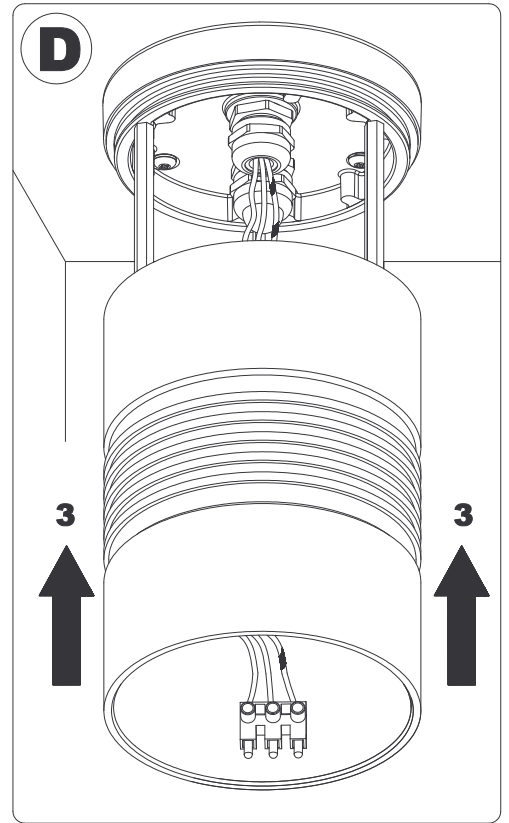
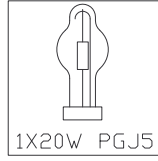
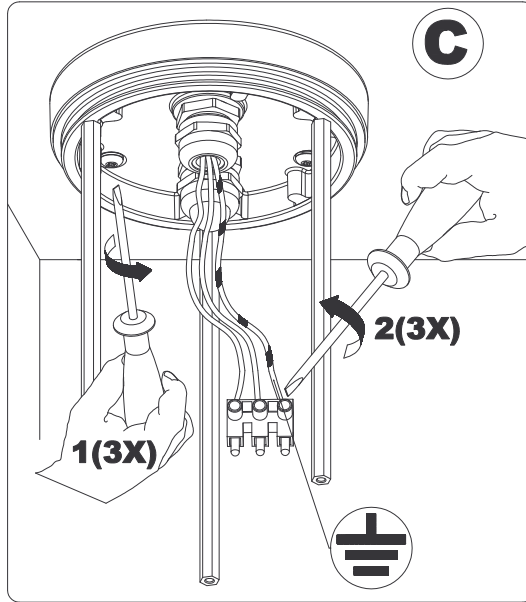
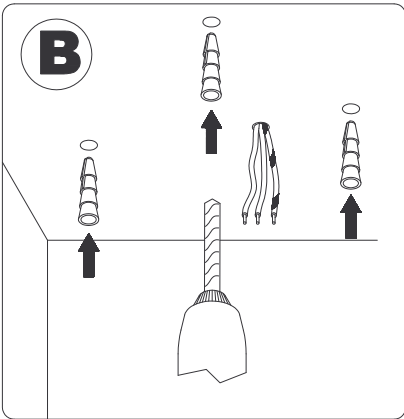
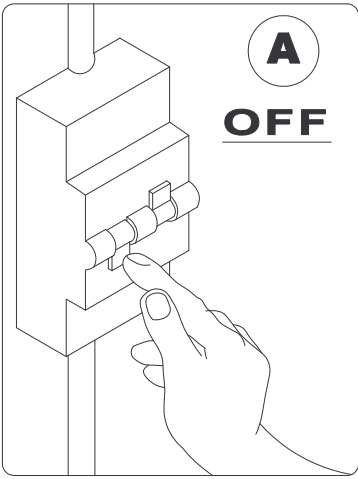
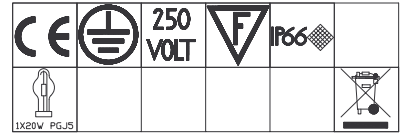


IM SERIE 463
CONNECTION:H20



IM SERIE 463
INSTALLATION WITH CODE:
00K460.01-00K460.02



ATTENTION

